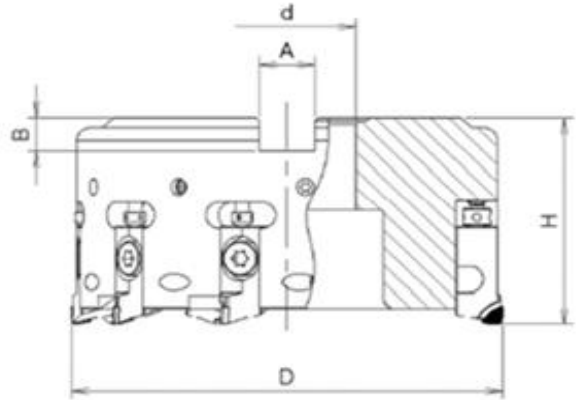


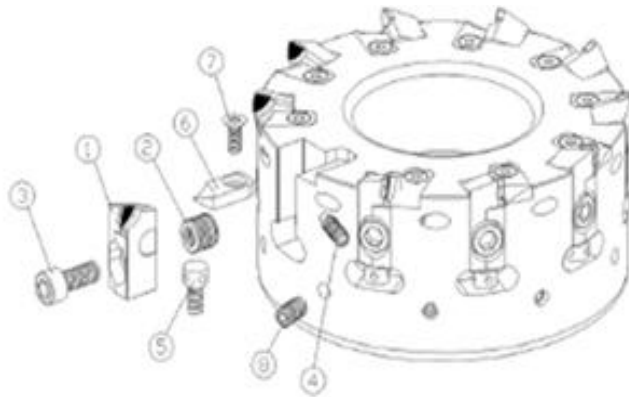
AL-CUTTER

Aluminum Cutter

HPA - H



Type	Dimensions ... (mm)					Tooth	Weight ...(kg)	Cartridge	Arbor ...
	ØD	Ød	A	B	H				
HPA 025R-H10	63	22	10	6	50	4	0.5	ROUGH HPA10CA-R	FMA 22
HPA 03R-H10	80	27	12.4	7	50	6	0.7		FMA 27
HPA 04R-H10	100	32	14.4	8	63	8	2.2		FMA 32
HPA 05R-H10	125	40	16.4	9	63	10	1.4		FMA 40
HPA 06R-H10	160	50.8	19.05	11	63	12	2.5	WIPER HPA10CA-W	FMA 50.8
HPA 08R-H10	200	47.625	25.4	14	63	14	3.5		FMA 47.625
HPA 10R-H10	250	47.625	25.4	14	63	18	4.9		FMA 47.625

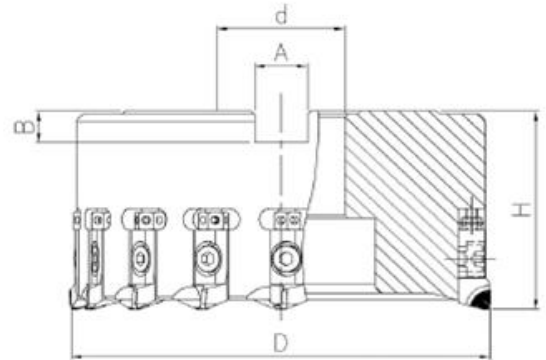


Spare parts

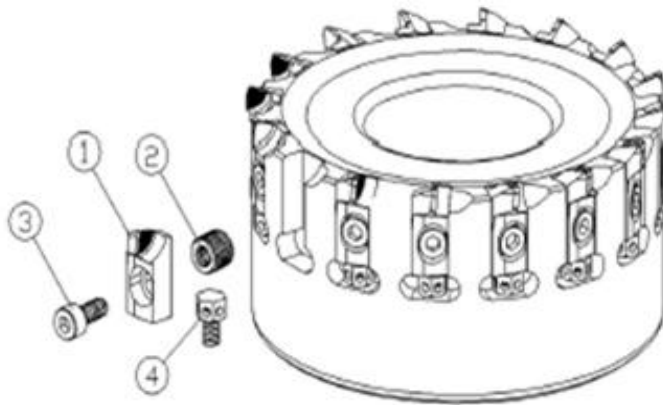
① Cartridge	① Cartridge	② Double Screw	③ Clamp Screw	④ Side Clamp Screw
HPA 10CA-R	HPA 10CA-W	H108	M6 x 15	M6 x 16
⑤ Adjust Screw	⑥ Chip Flute	⑦ Chip Flute Screw	⑧ Balancing Screw	
AJM 5F	HC-R/L	M4 x 10	M6 x 10	

Aluminum Cutter

HPA - M



Type	Dimensions(mm)					Tooth	Weight .. .(kg)	Cartridge	Arbor ...
	ØD	Ød	A	B	H				
HPA 03R-M10	80	25.4	9.5	6	50	10	0.8	ROUGH HPA 08CA-R WIPER HPA 08CA-W	FMA 25.4
HPA 04R-M10	100	31.75	12.7	8	50	12	1.2		FMA 31.75
HPA 05R-M10	125	38.1	15.9	10	63	14	2.2		FMA 38.1
HPA 06R-M10	160	50.8	19.05	11	63	18	2.8		FMA 50.8
HPA 08R-M10	200	47.625	25.4	14	63	24	4.5		FMA 47.625
HPA 10R-M10	250	47.625	25.4	14	63	30	7		FMA 47.625



Spare parts

① Cartridge	① Cartridge	② Double Screw	③ Clamp Screw	④ Adjust Screw
HPA 08CA-R	HPA 08CA-W	H107	M5 x 12	AJM 5F